

# Declaration for Weland Clamps

To Whom It May Concern

Thanks for choosing DMEGC.

As for the installation requirements between the DMEGC modules and Weland clamps, DMEGC confirms that:

DMEGC standard modules: **DMxxxM10RT-B54HBW/HSW/HBB/HBT/HST** and **DMxxxM10RT-B60HBW/HSW/HBB/HBT/HST** are compatible with Weland clamp.

This letter is provided as a supplement to the installation manual provided with the modules at the time of sale. DMEGC confirms that the modules (mentioned above) to be use with Weland Clamps, as schematically shown in Figure 1 with installation method as shown in Figure 2, do not violate the product warranty of DMEGC's modules (mentioned above), if the following maximum (test) loads are not exceeded:

-Maximum test load:

front test load +5400Pa and backside -2400 Pa

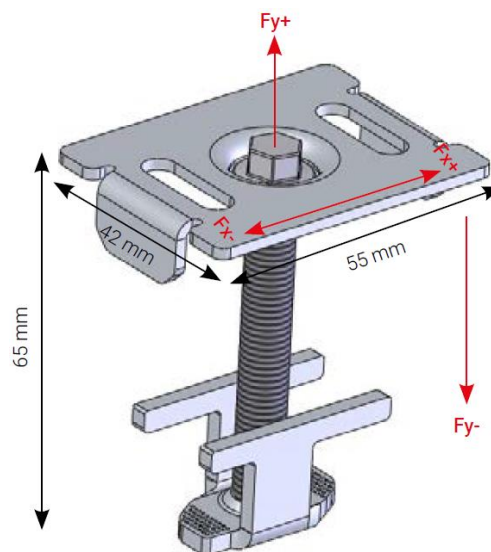


Figure 1: Weland Clamps

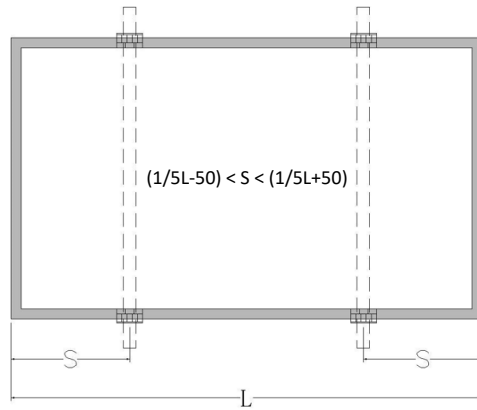


Figure 2: Mounting by four clamps, mounting rails cross the long frame

DMEGC Solar  
Product Management Department  
May 19, 2025

唐悦茹