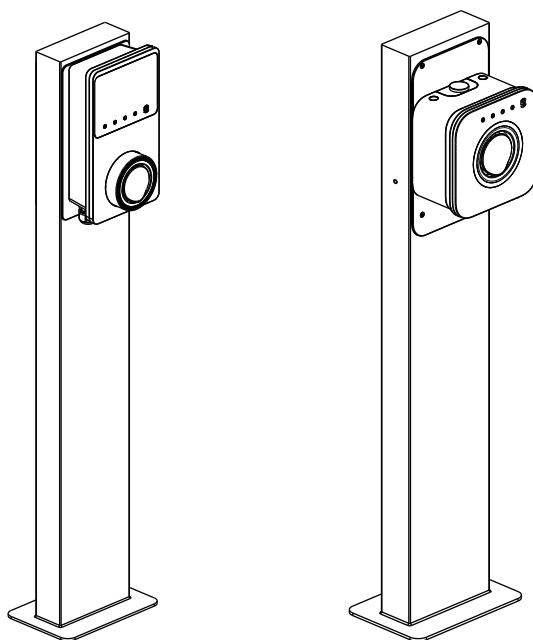




Quick Reference Guide

Pedestal ASP102

(For AC Compact and AC Wallbox)



Safety

Thank you for purchasing this Autel equipment. Our equipment is manufactured to a high standard and — when used according to these instructions and properly maintained — will provide years of trouble-free performance.



IMPORTANT:

Before operating or maintaining the equipment, please read these instructions carefully, paying extra attention to the safety warnings and precautions. Failure to install or use this equipment properly may cause damage and/or personal injury and will void the product warranty.

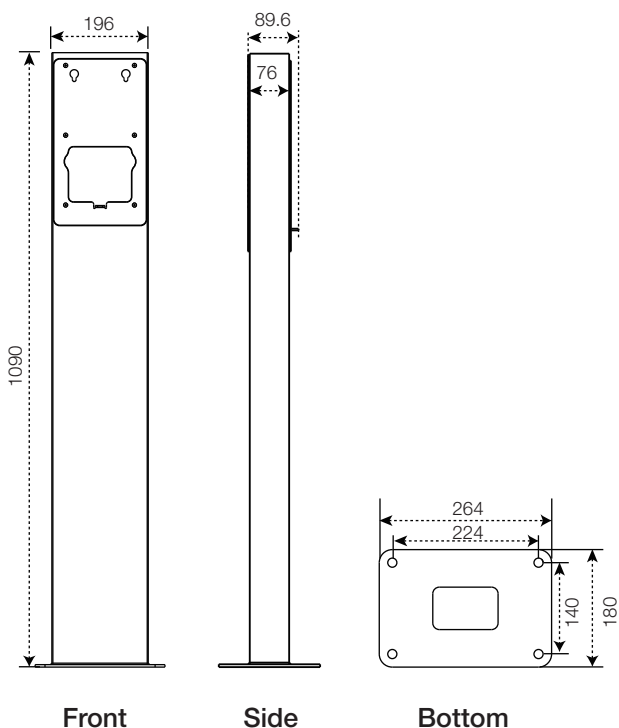
WARNING

- This equipment should only be installed by a licensed electrician in accordance with all local codes and ordinances.
- Do not install or use this equipment near flammable, explosive, harsh, or combustible materials, chemicals or vapors.
- Handle the equipment with care during transportation to prevent any damage. Do not subject it to strong force or impact or pull, twist, tangle, drag or step on the device.
- The respective national regulations must be observed with regard to the installation of the pedestals.
- When mounting the pedestals in parking spaces or parking garages, appropriate anti-collision protection must be provided by the installer.
- Do not mount the pedestal on asphalt.

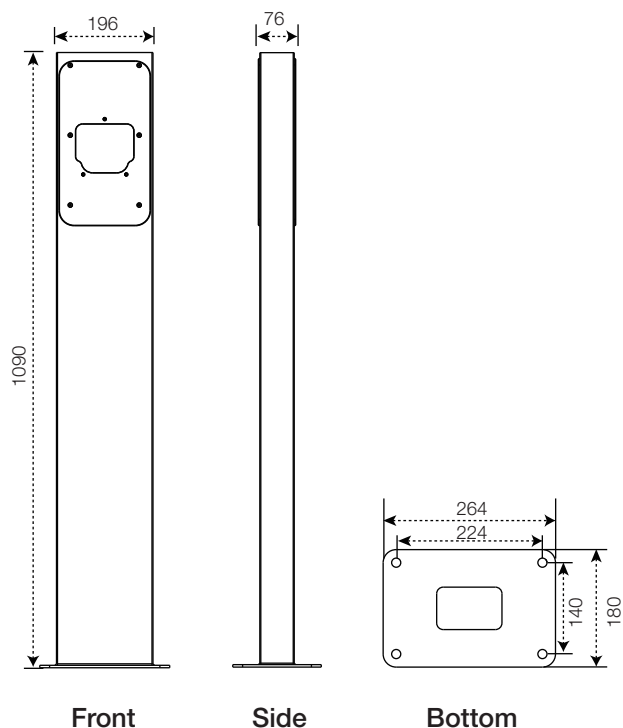
Installation

Product Dimensions

For AC Wallbox



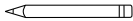

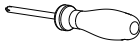


For AC Compact







(Unit: mm)

Preparing for Installation

Installation Tools (Not Included)

Marker	
Wrench (17 mm)	
Phillips screwdriver	
Flathead screwdriver	
Power Drill	

Drill bit (12 mm)	
Wire stripper	
Step bit (30 mm) For AC Compact only	
Scissors For AC Compact only	

Foundation Considerations



IMPORTANT:

- A flat, concrete, and stable surface is required for installation. To ensure safe and permanent anchoring, the concrete strength level should be above C30/C37.
- The surface must permit the drainage of any water that has entered the base.
- All cables must be laid precisely in the center of the concrete foundation and should have an excess length of approximately 1.5 m for the remaining installation activities.
- The conduit stub-up should be 75 mm at a minimum.
- The outer diameter of wiring conduit must not exceed 55 mm.

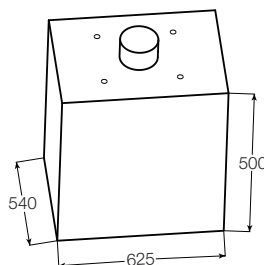
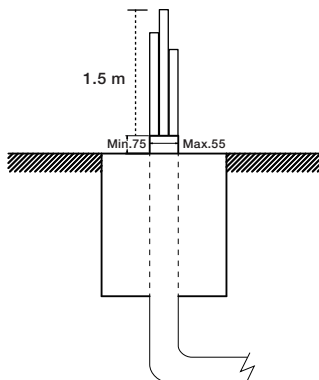
Getting Started

Build a New Foundation (Optional)

NOTE:

The pedestal can be mounted on an existing foundation. Skip to next step if there was already an existing foundation.

1. Dig a hole according to the recommended dimensions 625 x 540 x 500 mm (W x D x H).
2. Trench and excavate an opening to accommodate the wiring conduit.
3. Run the conduit to the designated location.
4. Pour the wet concrete into the hole and wait until it has hardened.
5. Pull the wiring up through the conduit, ensuring that there is enough length (approximately 1.5 m) to connect the wire conductors to the charger.

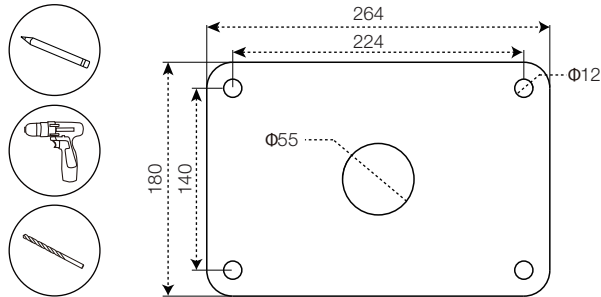


(Unit: mm)

Installing the Pedestal

1

1. Place the pedestal on the concrete surface, aligning the central hole of the pedestal base with the conduit stub-up.
2. Mark the four holes using the base plate of the pedestal as a guide. Remove the pedestal temporarily.
3. Drill holes 12 mm in diameter and 60 mm in depth.



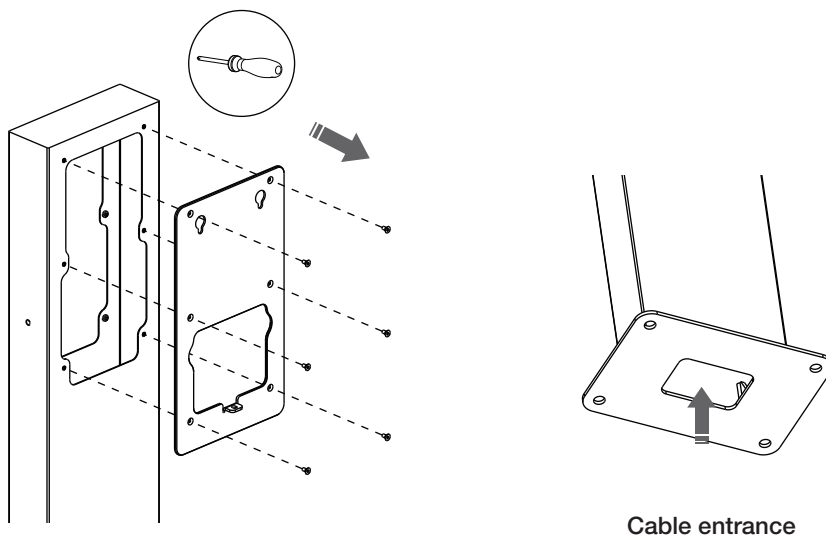
(Unit: mm)

2

1. Remove the pedestal cover plate by loosening the six M4 x 8 screws using the Phillips screwdriver.
2. Route the cables through the bottom of the pedestal and out from the cable exit. **Leave a sufficient length of the cable outside to prevent them from falling.**

NOTE:

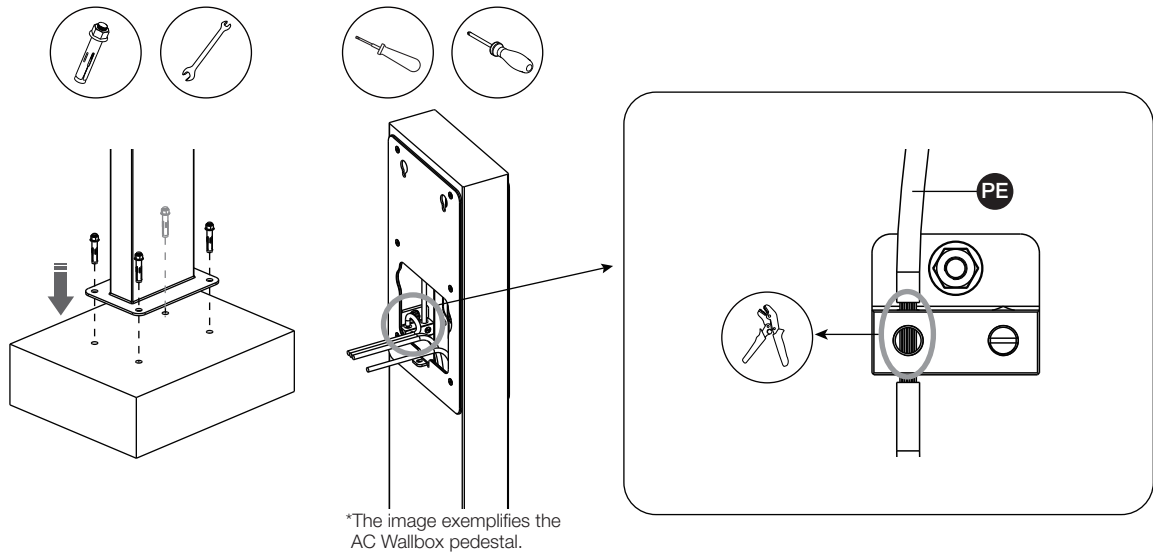
See the corresponding charger's manual for cable specifications.



Cable entrance

*The image exemplifies the AC Wallbox pedestal.

- Place the pedestal onto the designated mounting location, ensuring that the central hole and four mounting holes are properly aligned. Tap the four M10 x 60 bolts into the mounting holes, then tighten the nuts using a 17 mm wrench until they are securely in place. Verify that the pedestal is level before proceeding.
- Use a flathead screwdriver to loosen the screw at the terminal block inside the pedestal, then feed the PE wire through the port as shown in the diagram and tighten the screw to secure the wire.
- Reinstall the pedestal cover plate.

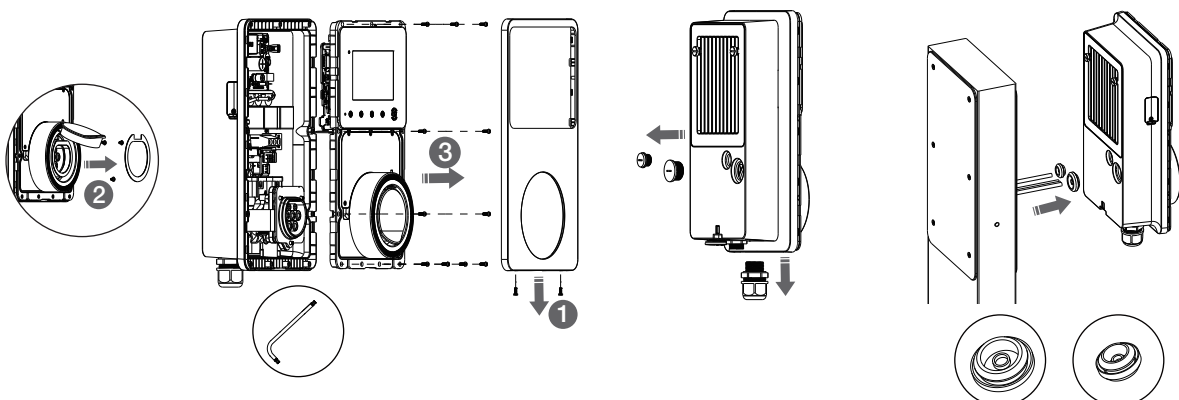


Installing the Charger

*The pedestal-mounted charger supports only rear entry wiring.

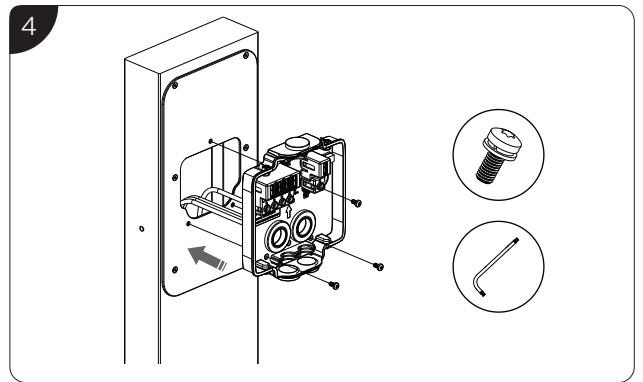
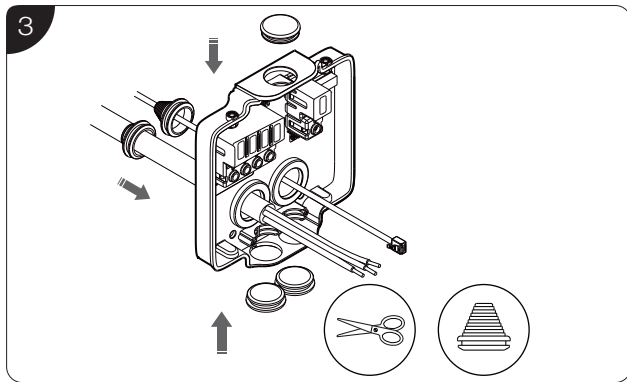
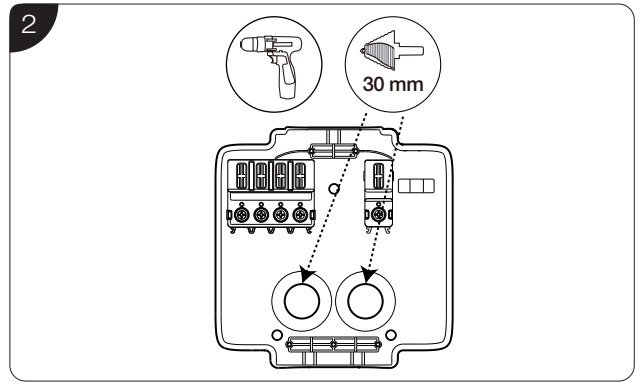
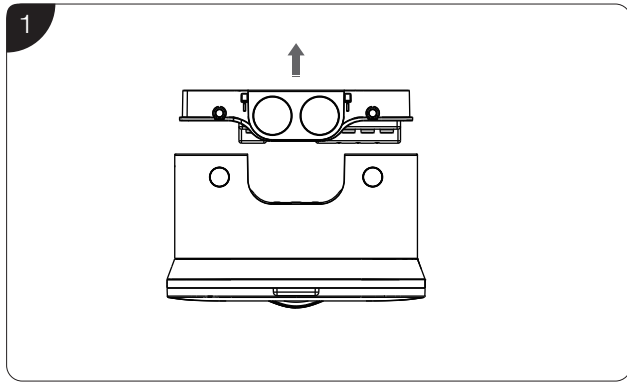
For AC Wallbox

- Loosen the bottom two screws using the type T10 screwdriver to remove the front cover from the charger.
- Open the socket cover and take out the sealing ring. Then loosen the three screws inside the socket.
- Loosen the eleven screws to remove the maintenance cover.
- Remove the M25 and M16 rear entry power conduit plugs from the charger and replace them with the M25 and M16 cable sealing rings.
- Remove the bottom cable gland from the charger and replace it with the M25 rear entry power conduit plug that was removed in the previous step.
- Pierce the cable sealing rings and route the AC input cable and Ethernet cable respectively.
- Refer to the AC Wallbox's manual to mount the charger, connect the wires, and finish the installation.



For AC Compact

Refer to AC Compact's manual for detailed instructions.



*Scan the QR code to access additional installation details for the chargers.



NOTE: The illustrations in this document are for reference only. Please refer to the actual products.