



Safety instructions and installation manual

NM Edge Protection

Version 1.3 / 2025/03/19

Patent pending: 2430170-7



→ Read and follow this document carefully every time you install, use or dismantle NM Edge Protection.

Table of Contents

→ Introduction.....	4
→ Overview.....	5
→ Before installation, use and dismantling	6
→ Planning and positioning	9
→ Attachment	10
→ Tile roof, tongue and groove, option 1	10
→ Tile roof, tongue and groove, option 2	11
→ Tile roof, battens	13
→ Standing seam sheet metal roof	14
→ Profiled sheet metal roof	15
→ Roof ridge	16
→ Installing NM Edge Protection	18
→ Dismantling NM Edge Protection	20
→ Article overview	21
→ Regulations	22



Introduction

NM Edge Protection is manufactured for and approved in accordance with standard EN-13374-A. Follow all the instructions to comply with requirements and create a safe working environment.

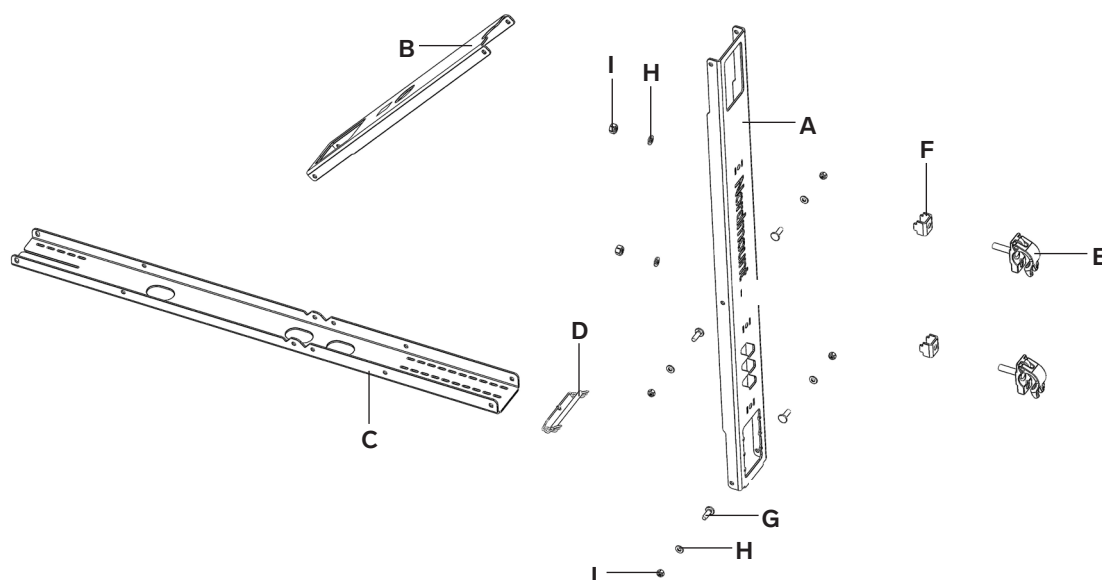
Articles

- Art no 7010 – NM Edge Protection
- Art no 1357 – NM Hyper Meta (For tiles)
- Art no 6628 – NM Hyper Seam Roof
- Art no 63191000 – NM Screw
- Art no 50320300 – NM Wood Screw
- Art no 1308 – NM Hex 8 Socket
- Art no 7012 – NM Toe Board Holder
- Art no 7011 – NM Stand Pipe (For ridge attachment)

Supplementary

- Toe board – SS-EN 13374
- Personal fall protection equipment
- Scaffolding tubes or truss beams – EN 13374
- Connectors, tube joints – EN 74-1: 2022

Overview



A. Back
B. Support leg
C. Platform
D. Locking pin
E. Coupling
F. Spacer

G. Bolt
H. Washer
I. Nut

Before installing, using and dismantling the product

NM Edge Protection has been developed for use during roof work, where the falling height from the work area exceeds two metres. It is therefore of the utmost importance for you to follow the instructions when installing, using and dismantling the system. If the system is installed, used or dismantled incorrectly, there is a risk of injury or death.

Nordmount AB disclaims any liability arising from the incorrect use of our products, and cannot be held liable for injury, damage or consequential damage of a personal, material or financial nature.

General safety

- The temporary guardrail may only be used for roofs with a stable construction that is free from defects. Prior to installation, the battens/tongue and groove must be checked on tiled roofs, seams must be checked when installing on standing seam roofs, and panel attachments must be checked when installing on profiled sheet metal roofs.
- Make sure that all workers are aware of all emergency procedures before starting work.
- The protection is manufactured as a temporary guardrail system, with a maximum load of 30 kg. Avoid unnecessary stresses.
- If the protection is subjected to stresses from people or objects, it may only be used after being inspected by an authorised individual.

Use and maintenance

- Periodically inspect all fasteners and components to ensure they are properly installed and in good condition. Replace damaged or worn parts immediately.
- Always conduct a risk analysis for safe installation and use of NM Edge Protection.
- NM Edge Protection meets the requirements of the European standard EN-13374-A.

- Guardrails must be able to withstand a wind load of 600 N/m², which corresponds to a wind speed of approximately 32 m/s.
 - Guardrails must withstand a wind load of 600 N/m², equal to a wind speed of ~32 m/s.
 - Guardrails are not designed to withstand static or dynamic loads from ice and snow. Therefore, always keep them free of ice and snow.
- NM Edge Protection must never be used as an anchorage point for attaching lifelines, for example.
- The system must never be used for company banners, flags, windbreaks, or anything else that might create unnecessary stresses.
 - If you have any questions or need support, please contact your dealer.

Articles

- Damaged or modified items, or items other than those referred to, must never be used. In order to use other items, it is necessary to have updated installation instructions from Nordmount.
- Connectors that are used during installation must be type-tested.
- If damage is detected that could compromise safety, please contact your dealer for advice.

- Manufacturing details are marked on the gable protection; for example, 2403 means that the product was manufactured in week 03 of 2024.
- The warranty is invalid if products have been used that have not been supplied by or on behalf of Nordmount, or if their use has not been expressly authorised by Nordmount.

Installation

- Secure the work area on the ground floor, block off to prevent access by passers-by.
- NM Edge Protection must be installed by two people in good health and with a good knowledge of the product.
- When installing the gable protection, always use safety equipment such as fall protection, a helmet, work gloves and safety shoes. Installers must be familiar with and comply with local and EU regulations relating to personal fall protection equipment (PPE).
- The gable protection elements must not be placed more than five metres apart.

Standard EN-13374-A

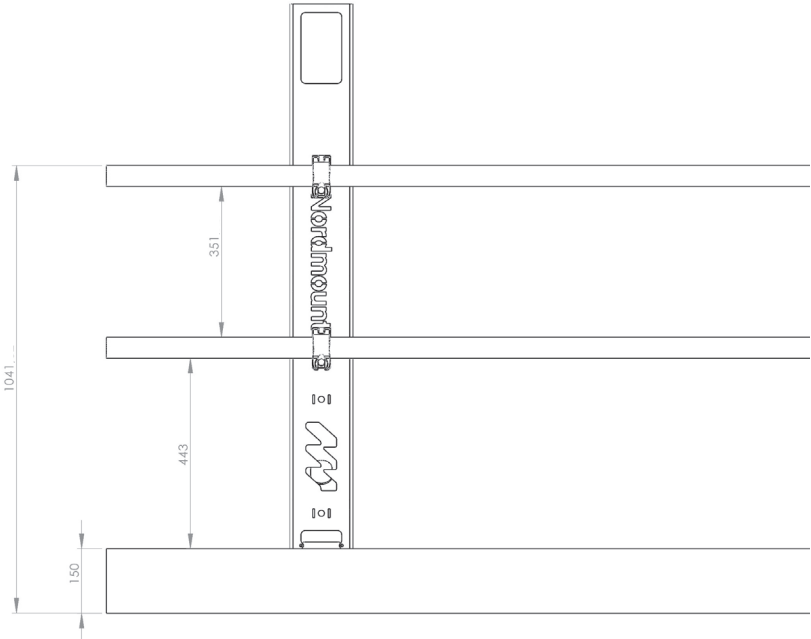
EN-13374 is a European standard for temporary edge protection systems intended to ensure that nobody can fall past a guardrail. The standard is available in three different load classes, A, B and C, where NM Edge Protection satisfies the requirements for load class A. Class A means that the temporary guardrail only has to withstand static loads. The guardrail collectively has to be able to stop a person who walks into or falls against the rail, as well as acting as a handrail for a person walking alongside it or providing support to a person leaning against it.

Dismantling

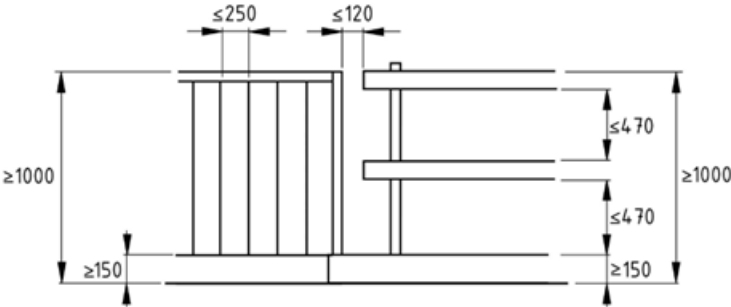
- NM Hyper Meta fasteners, NM Hyper Seam Roof fasteners, NM screw or NM wood screw must never be reused.
- Discarded parts can be recycled.

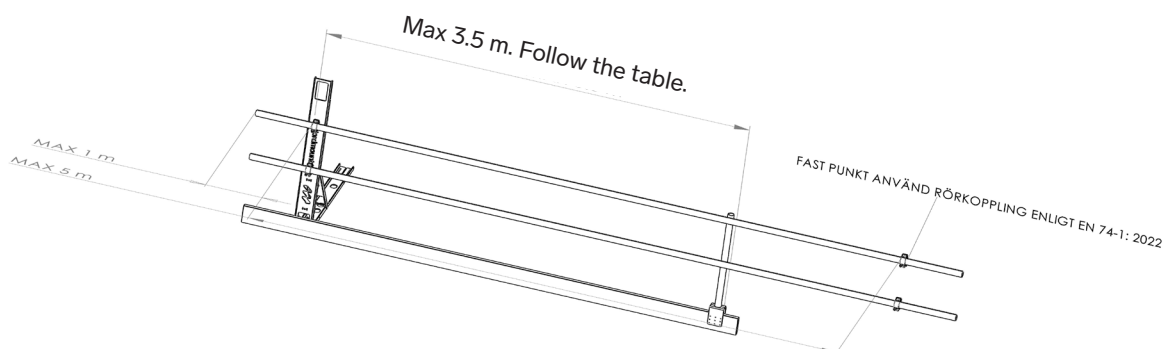
In case of accident

- Stop work immediately and request emergency assistance.



Requirements according to the standard:

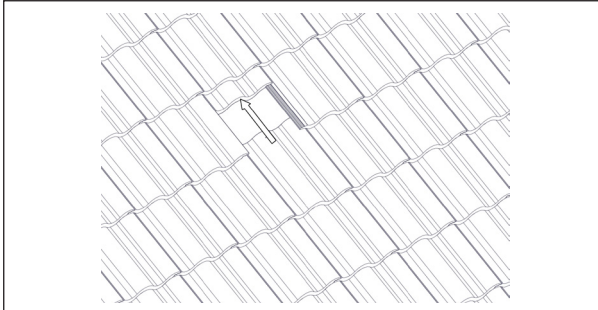




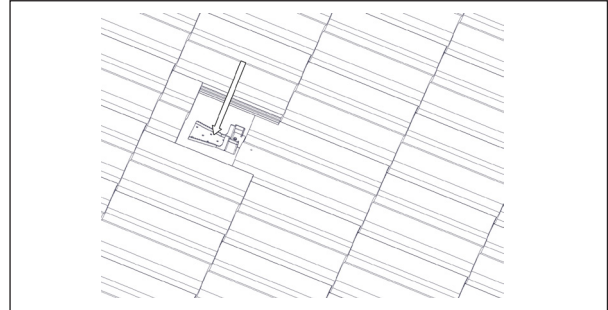
Planning and positioning

Calculate the positioning of your gable protection element(s). Gable protection elements may bear scaffolding tubes up to a maximum length of five metres, at which point the tubes need to be anchored to a new fixed point, such as another gable protection element or scaffolding. When tubes protrude from the gable protection, ensure that the protruding part is no more than 1 metre in length. Also make sure that external components, such as toe boards, tubes and beams, are within the roof limits when NM Edge Protection is in the raised position. It is essential for you to follow these guidelines when planning and positioning the gable protection elements.

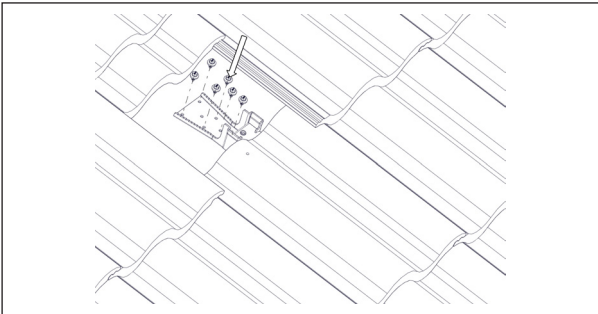
Attachment of NM Hyper Meta in tongue and groove, option 1 (minimum dimension 17 mm)



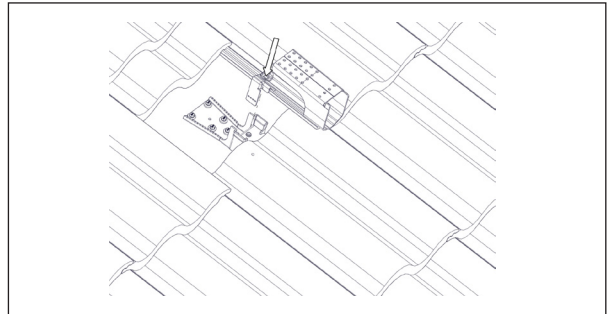
1. Lift the roofing tile at the calculated position closest to the gable.



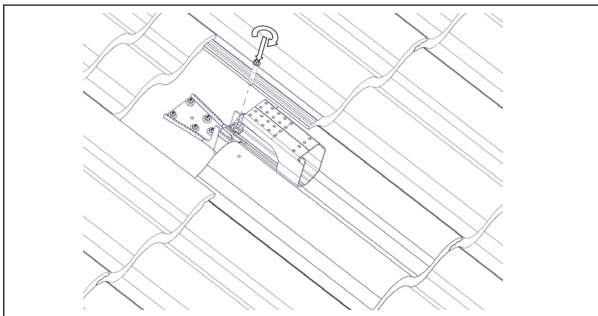
2.



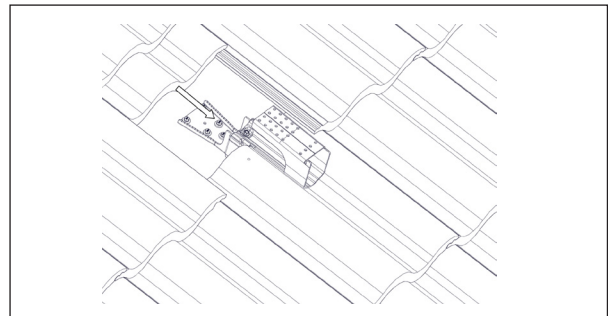
3. Use 6x NM Wood Screws.



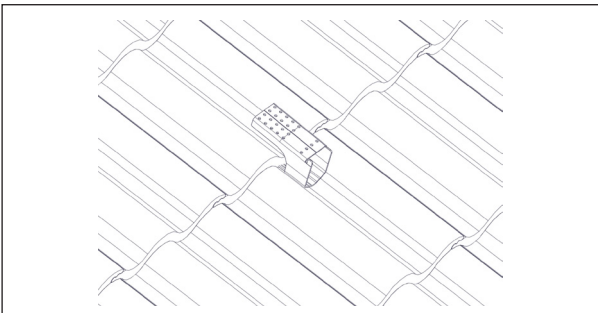
4. Tighten the screw with Hex 8 until you make contact with the tile.



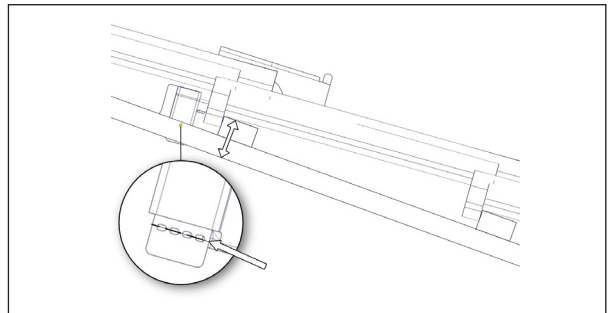
5.



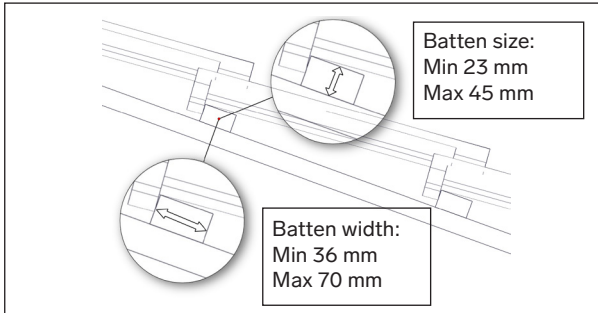
6.



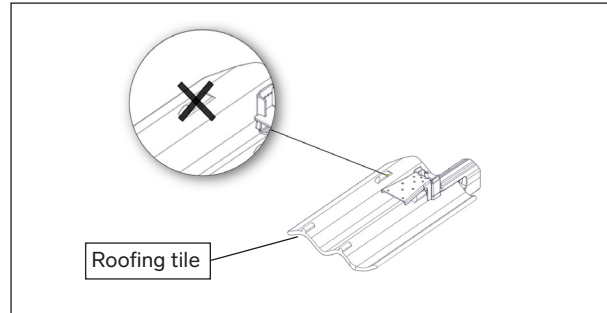
7.



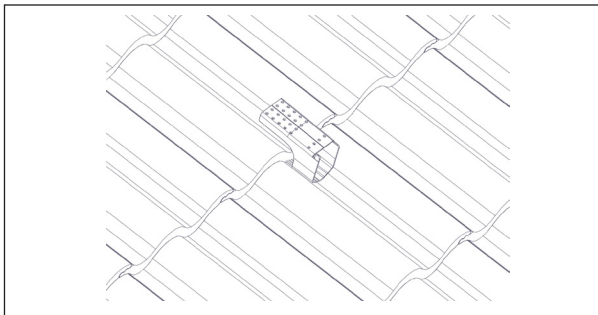
8. If batten and counter batten thickness is less than 46 mm, break off the legs at the NM Hyper Meta bracket.



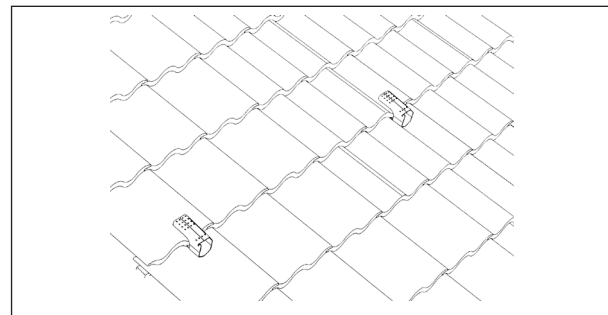
9.



10. In case of installation on roofing tiles, where NM Hyper Meta is placed, remove the lower lug.

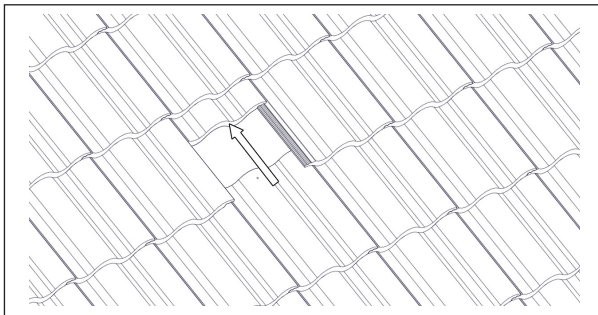


11. Attach another NM Hyper Meta, in a vertical direction, with a c/c distance of approximately 1200 mm to the nearest gable.

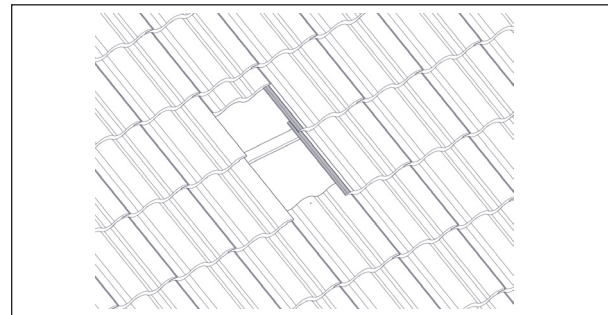


12. Go to "Installing NM Edge Protection"

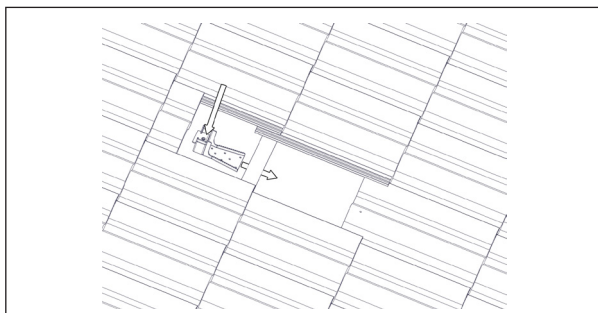
Attachment of NM Hyper Meta in tongue and groove, option 2 (minimum dimension 17 mm)



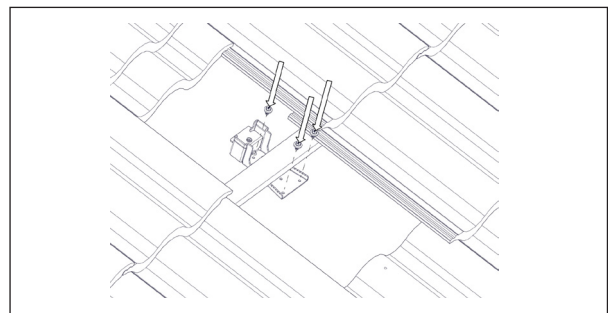
1. Lift the roofing tile at the calculated position closest to the gable.



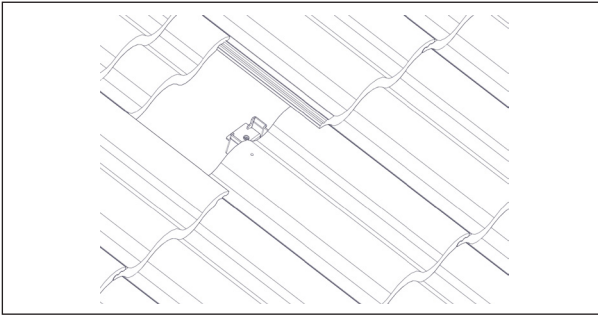
2.



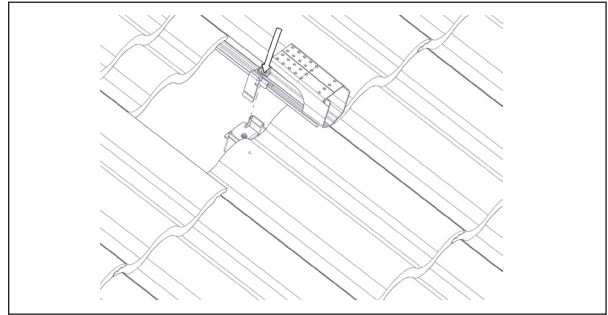
3.



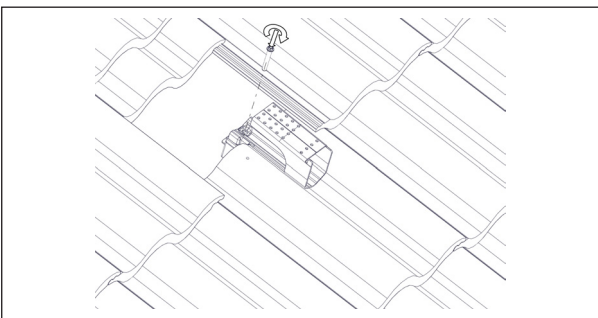
4. Use 3x NM Wood Screws.



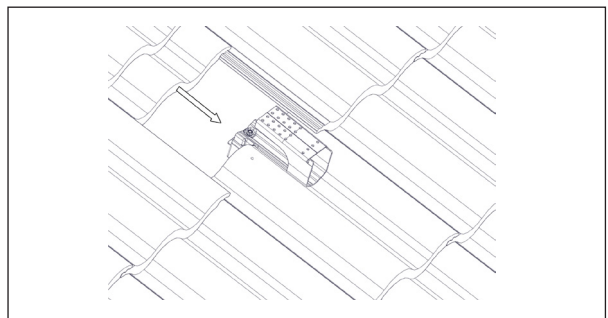
5.



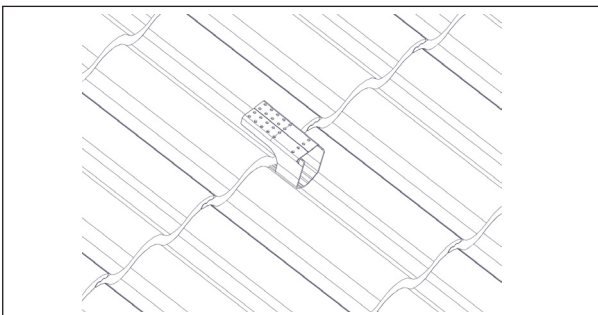
6.



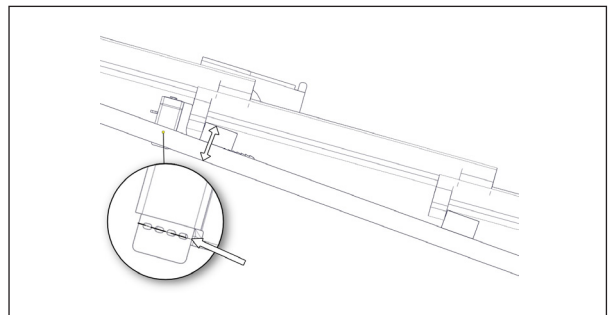
7. Tighten the screw with Hex 8 until you make contact with the tile.



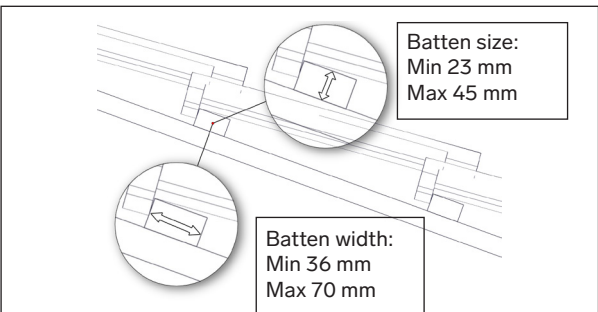
8.



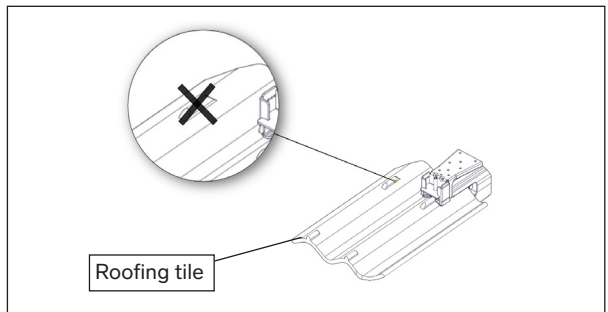
9.



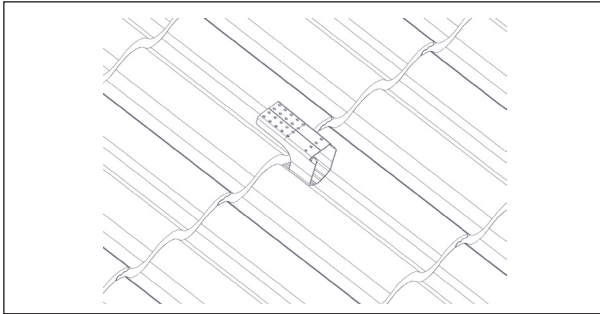
10. If batten and counter batten thickness is less than 46 mm, break off the legs at the NM Hyper Meta bracket.



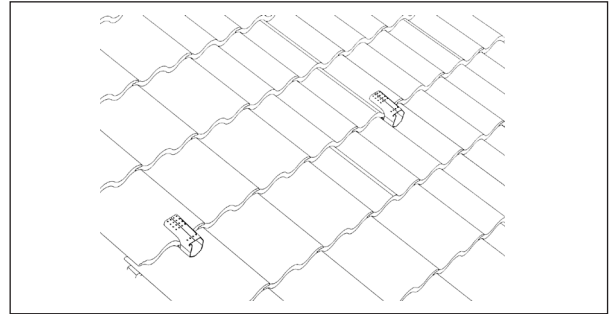
11.



12. In case of installation on roofing tiles, where NM Hyper Meta is placed, remove the lower lug.

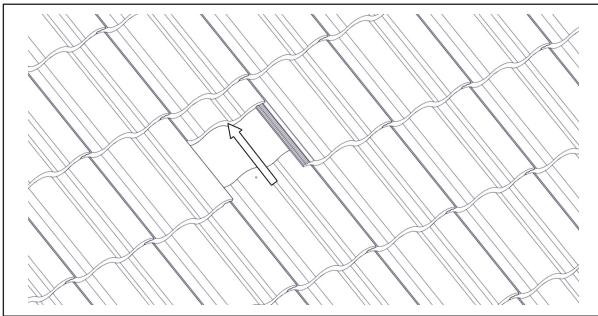


13. Attach another NM Hyper Meta, in a vertical direction, with a c/c distance of approximately 1200 mm to the nearest gable.

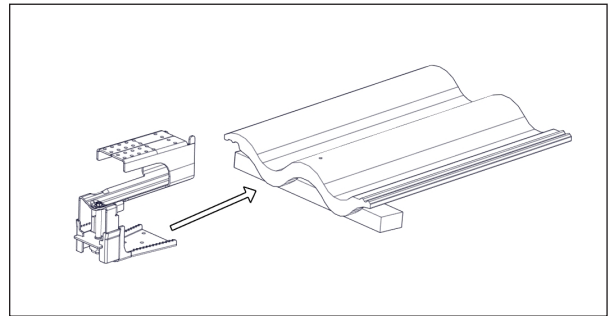


14. Go to "Installing NM Edge Protection"

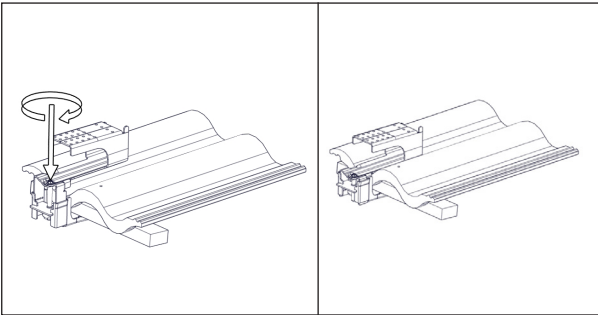
Attachment of NM Hyper Meta in batten



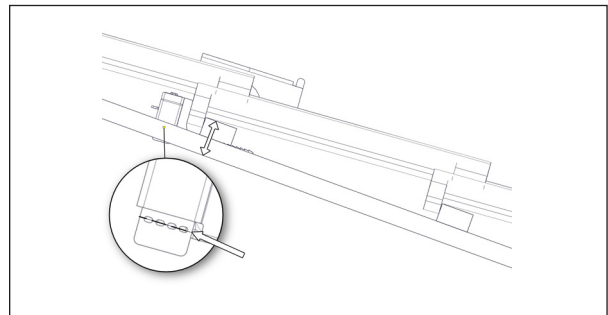
1. Lift the roofing tile at the calculated position closest to the gable.



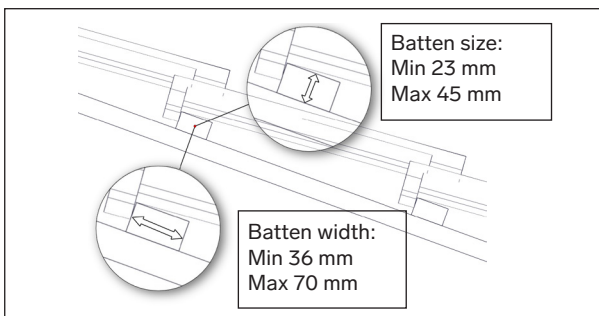
2.



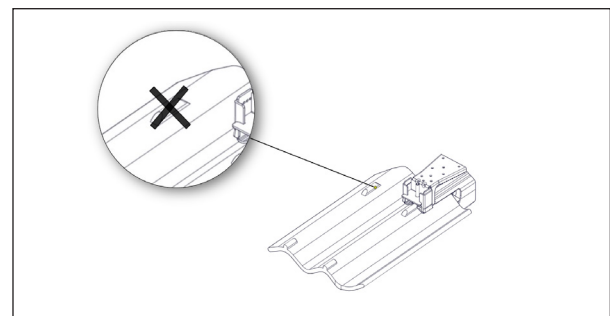
3. Tighten until the fastener clamps onto the batten, although max up to 5 Nm. Hex 8.



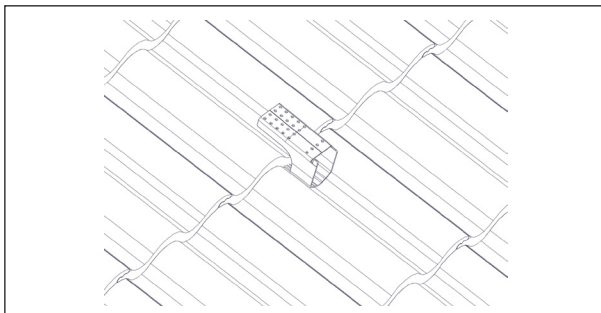
4. If batten and counter batten thickness is less than 46 mm, break off the legs at the NM Hyper Meta bracket.



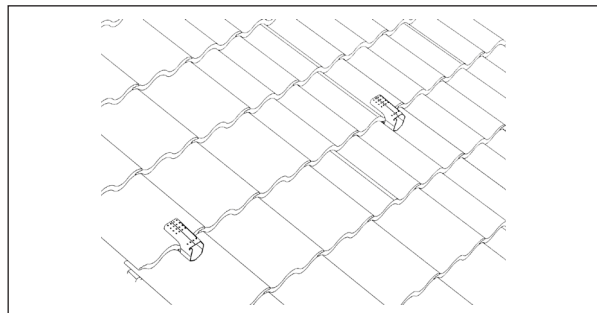
5.



6. In case of installation on roofing tiles, where NM Hyper Meta is placed, remove the lower lug.

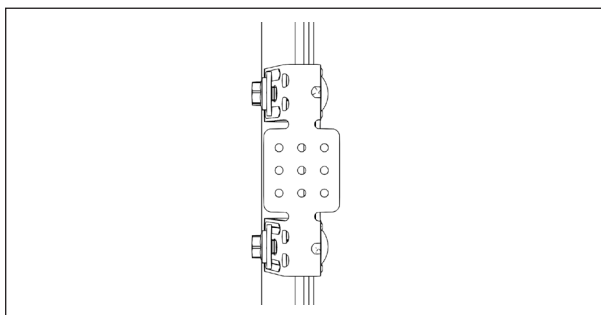


13. Attach another NM Hyper Meta, in a vertical direction, with a c/c distance of approximately 1200 mm to the nearest gable.

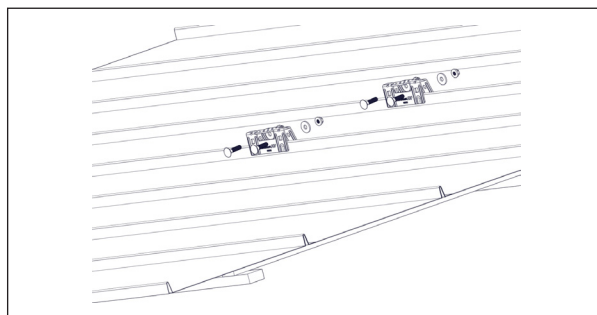


14. Go to "Installing NM Edge Protection"

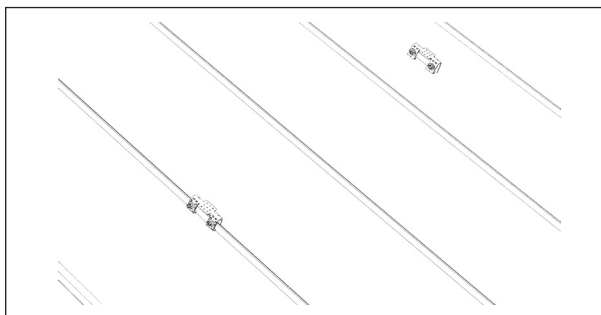
Attachment of NM Hyper Seam Roof in standing seam sheet metal



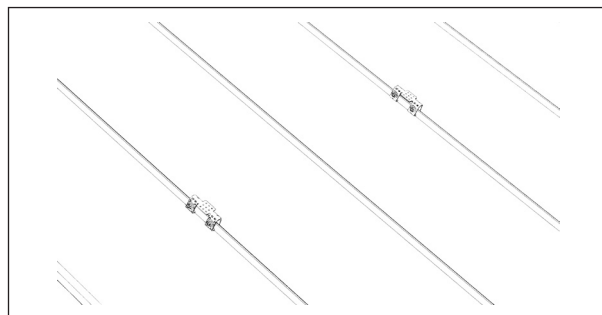
1. Place the fastener at right angles to the gable, install in the calculated position. Start closest to the gable.



2. Tightening torque 30 Nm.

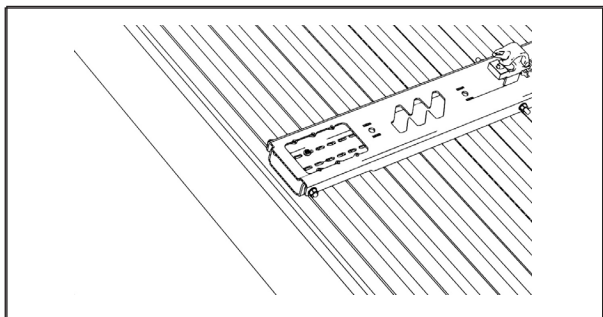


3. Attach an NM Hyper Seam Roof, in a vertical direction, with a c/c distance of approx. 1200 mm to the nearest gable.

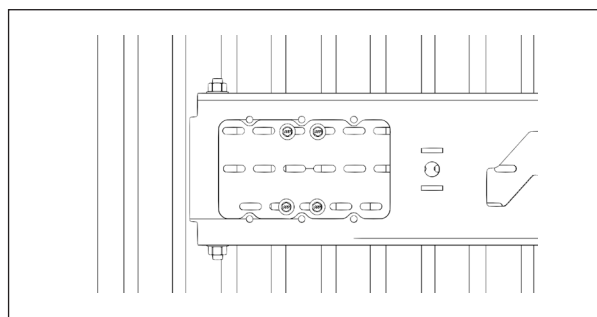


4. Go to "Installing NM Edge Protection"

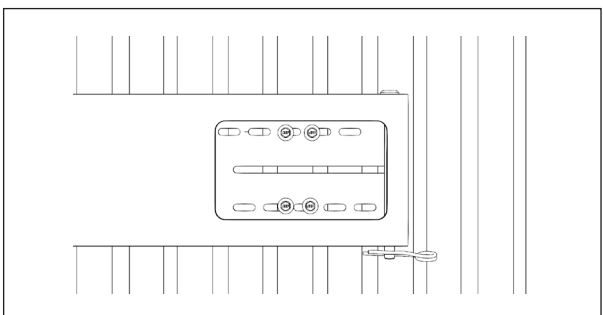
Attachment of NM Edge Protection in profiled sheet metal



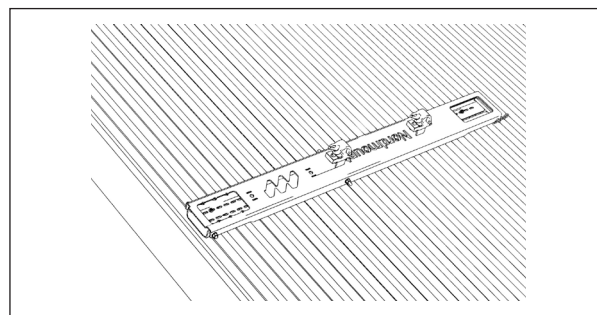
1. Place the fastener at right angles to the gable, install in the calculated position.



2. Start closest to the gable and screw in four NM Screws.

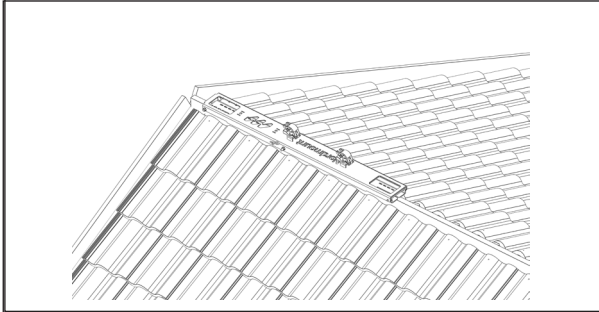


3. Screw in four NM Screws into the second attachment point.

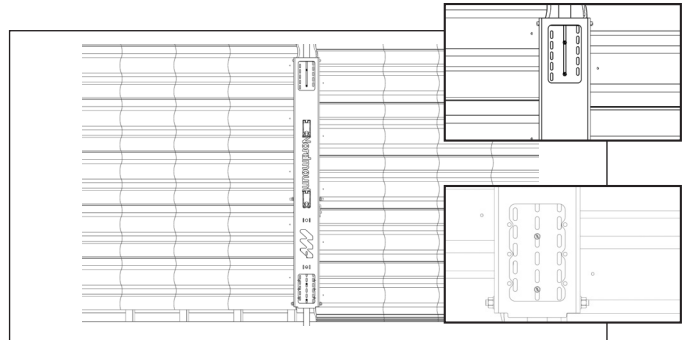


4. Go to step 3 of "Installing NM Edge Protection".

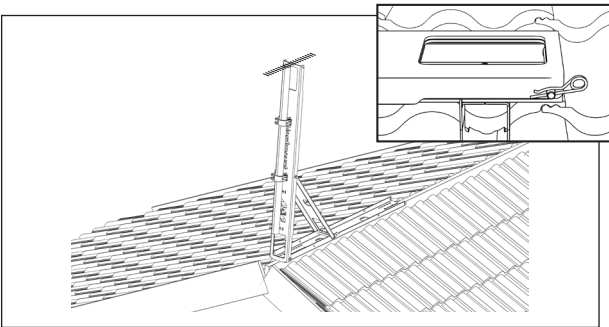
Attachment of NM Edge Protection in roof ridge



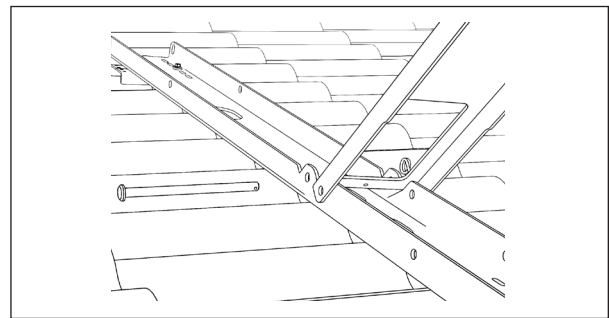
1. Check that the angle of the roof does not exceed 35°, lift off the tiles and place the gable protection on the ridge board.



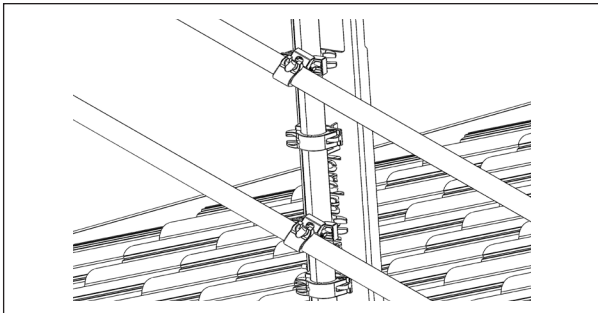
2. Secure with four NM Wood Screws and place an NM Stand Pipe through the connectors. Lock the tube in place.



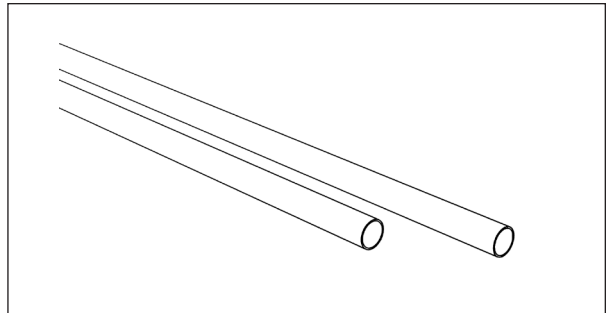
3. Loosen the locking pin, raise the protection and ensure that the tube does not extend beyond the top of the gable protection.



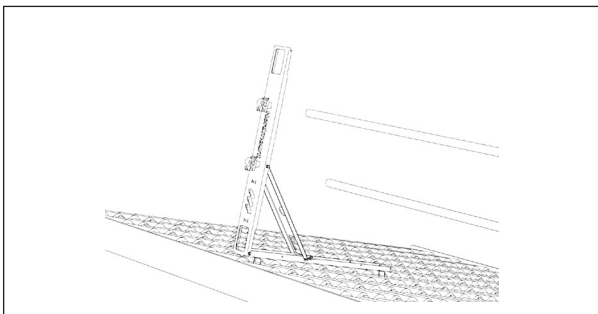
4. Insert the shaft and lock the position using the pin. Use the entire lock package, with cable, shaft and pin.



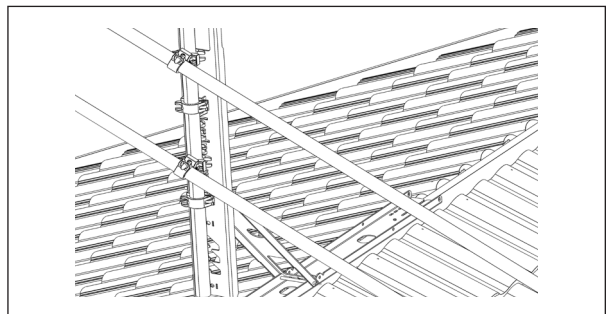
5. Attach approved tube connectors to the vertical scaffolding tube.



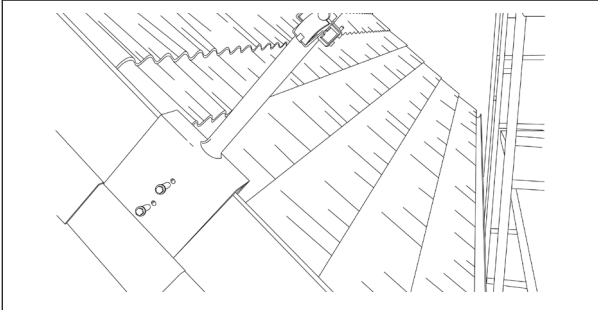
6. You can use truss beams, approved joined three-metre tubes or six-metre tubes as scaffolding tubes.



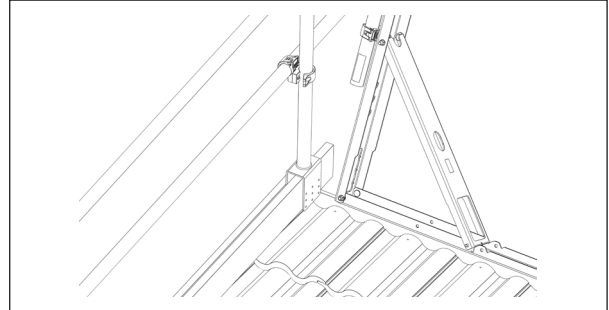
7. Attach the tubes to connectors at a fixed point, preferably scaffolding, anchored to the long side of the property.



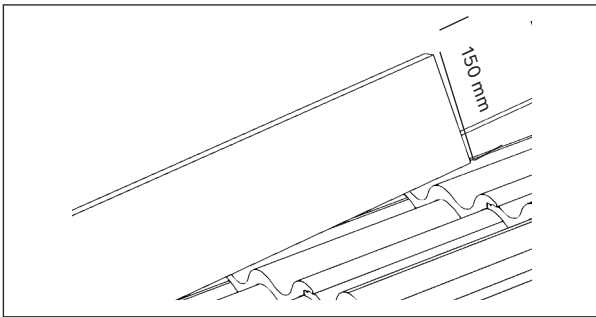
8. Screw the tubes into the connectors on the gable protection. The top tube must end up at least one metre above the roof.



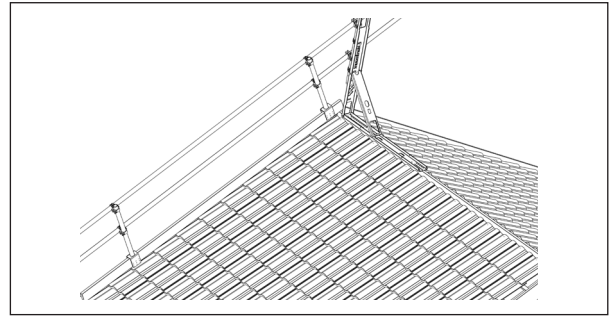
10. Start from the roof's lower edge and install the toe board holders with a maximum c/c distance according to the table. Anchor the toe board to the scaffolding.



11. One of the toe boards should be placed within 50 cm of the gable protection. The toe board must not be anchored to the gable protection.

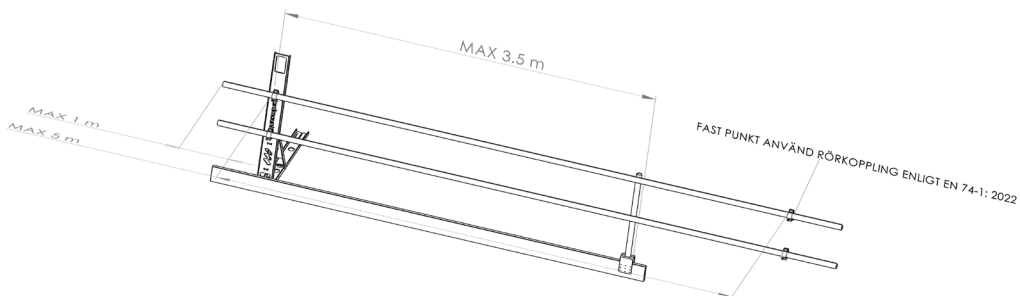


12. Use class C construction timber for the toe board according to the table. The board must be at least 150 mm tall.



13. Check that the tubes are securely anchored and that the construction is stable.

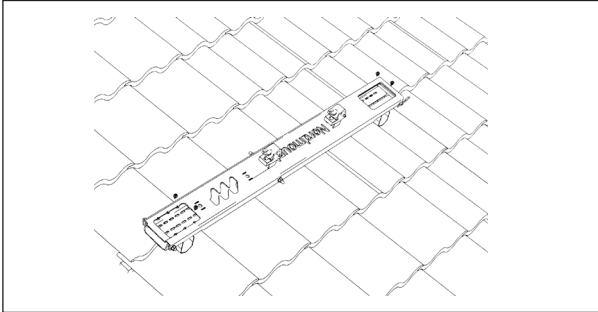
Ratio dimensions class C24 30x150 mm



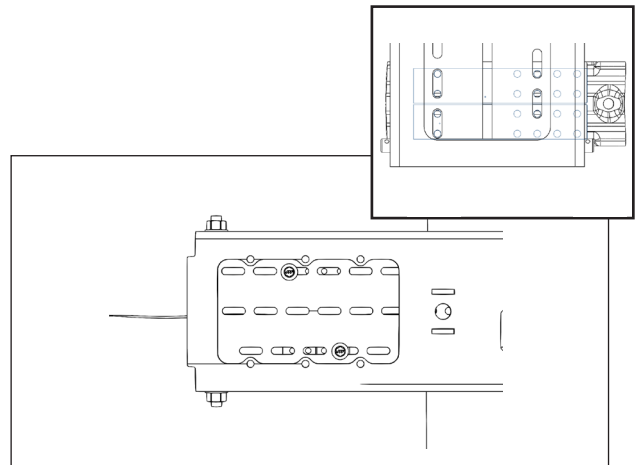
Toe board - maximum lengths

Timber profile mm ²	Maximum length with construction class according to SS-EN 388:2009		
	C18	C24	C30
22x145	2.35 m	2.51 m	2.59 m
28x145	2.99 m	3.20 m	3.29 m
34x145	3.50 m	3.50 m	3.50 m

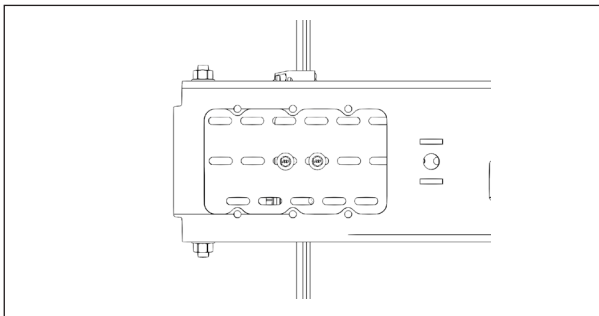
Installing NM Edge Protection



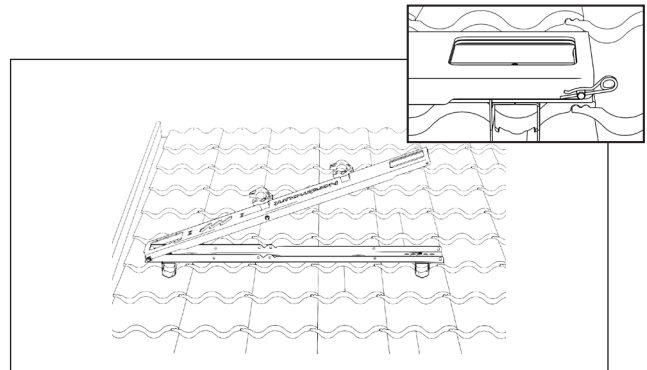
1. Place the gable protection in fasteners.
The example image above shows a tiled roof.



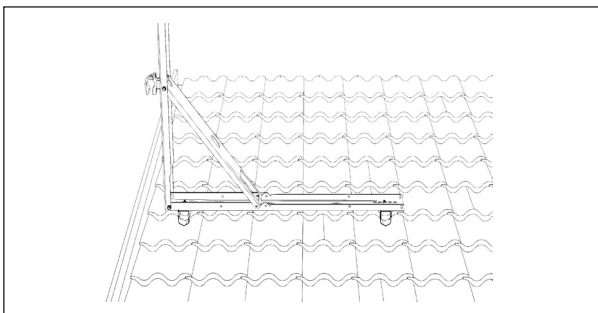
2.1 When using NM Hyper Meta: Screw the protection into the fastener according to the hole instructions shown above. The two screws must be in the diagonal direction. Repeat the attachment on the opposite side of the gable protection.



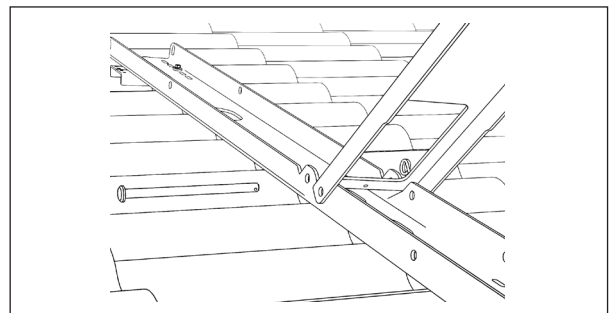
2.2 When using NM Hyper Seam Roof: Screw the protection into the fastener according to the instructions, using at least two screws in the row of holes. Repeat the attachment in the groove on the opposite side of the gable protection.



3. Loosen the locking pin and raise the gable protection.

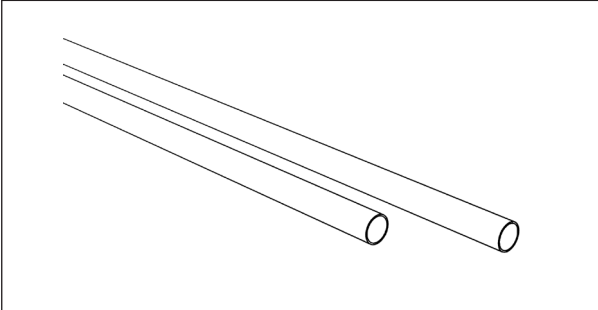


5. Position the support leg so that the back of the gable protection is at an angle of 90° compared to the roof surface.

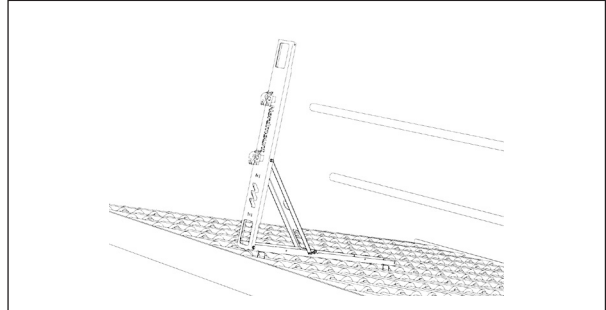


6. Insert the shaft and lock the position using the pin. Use the entire lock package, with cable, shaft and pin.

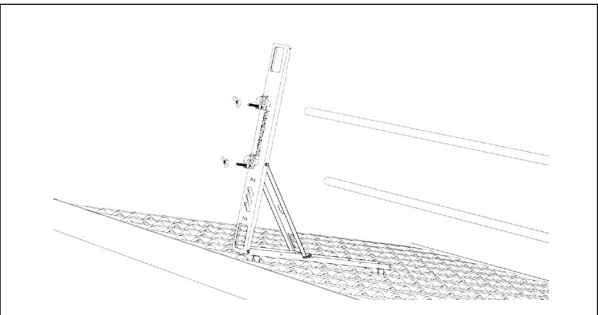
Installing NM Edge Protection - Tubes and toe boards



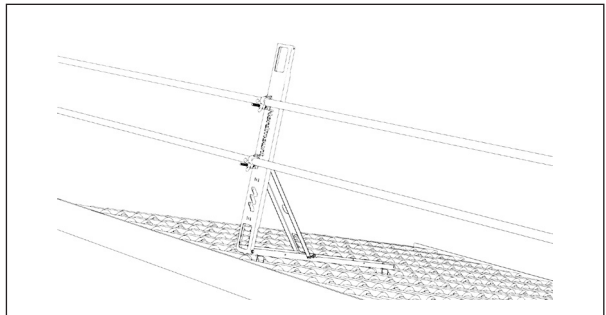
1. You can use truss beams, approved joined three-metre tubes or six-metre tubes as scaffolding tubes.



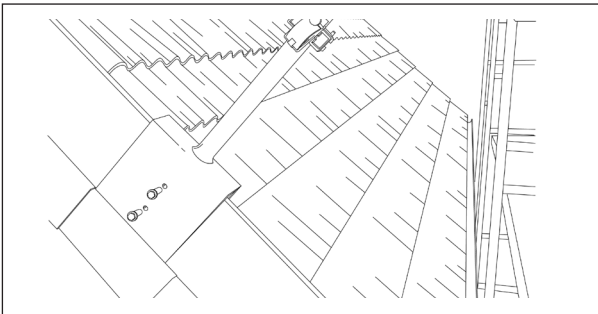
2. Attach the tubes to connectors at a fixed point, preferably scaffolding, anchored to the long side of the property.



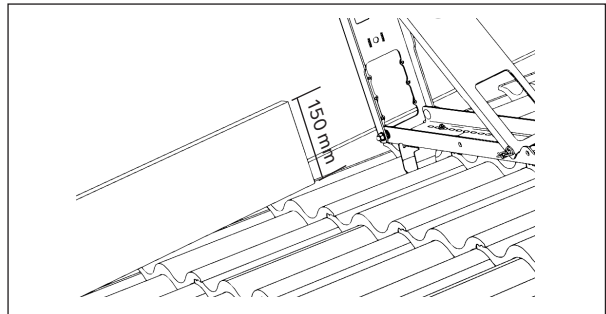
3. Screw the tubes into the connectors on the gable protection. The top tube must end up at least one metre above the roof.



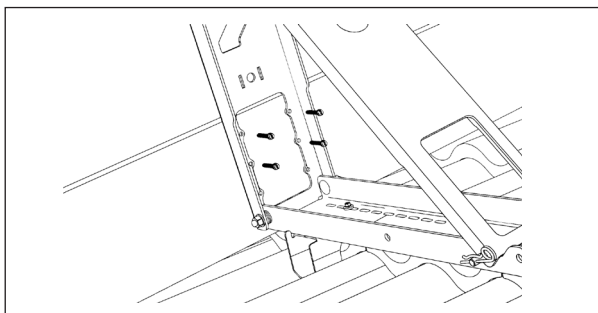
4. Check that the tubes are securely anchored and that the construction is stable.



5. Start from the long side of the property and install toe board holders with max c/c distance according to table.



6. Use class C construction timber for the toe board. The board must be at least 150 mm tall.

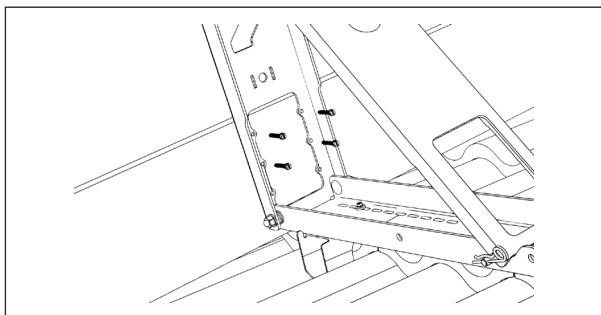


7. Attach the toe board in the holder with 4x NM Wood Screws. The bottom edge of the board must be no more than 20 mm from the roof.

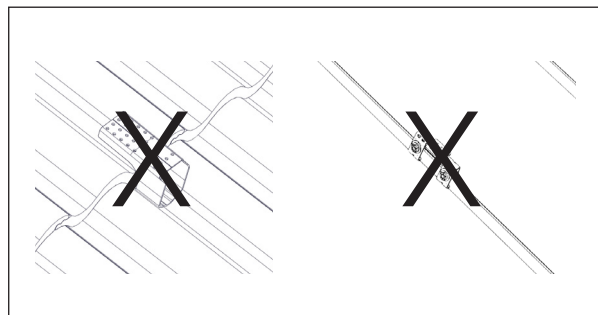
Toe board - maximum lengths.

Timber profile mm ²	Maximum length with construction class according to SS-EN 388:2009		
	C18	C24	C30
22x145	2.35 m	2.51 m	2.59 m
28x145	2.99 m	3.20 m	3.29 m
34x145	3.50 m	3.50 m	3.50 m

Dismantling NM Edge Protection



1. Follow the instructions for installing NM Edge Protection in reverse order.

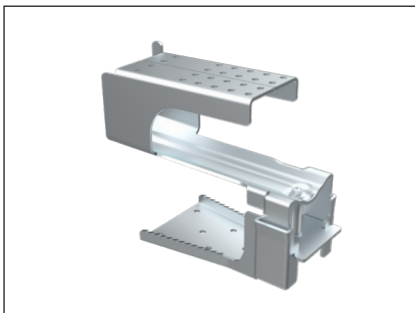


2. The NM Hyper Meta and NM Hyper Seam Roof fasteners must never be reused after being unscrewed.

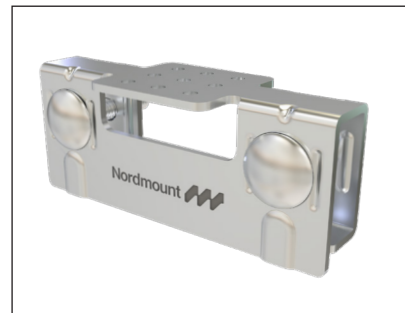
Articles



NM Edge Protection - Art no 7010



NM Hyper Meta - Art no 1357



NM Hyper Seam Roof - Art no 6628



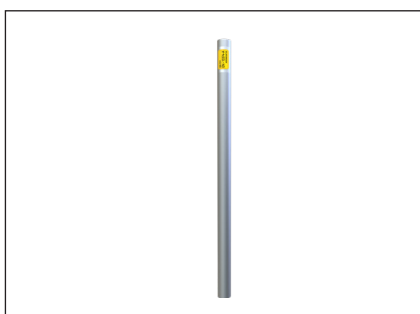
NM Hex 8 Socket - Art no 1308



NM Screw - Art no 63191000



NM Wood Screw - Art no 50320300

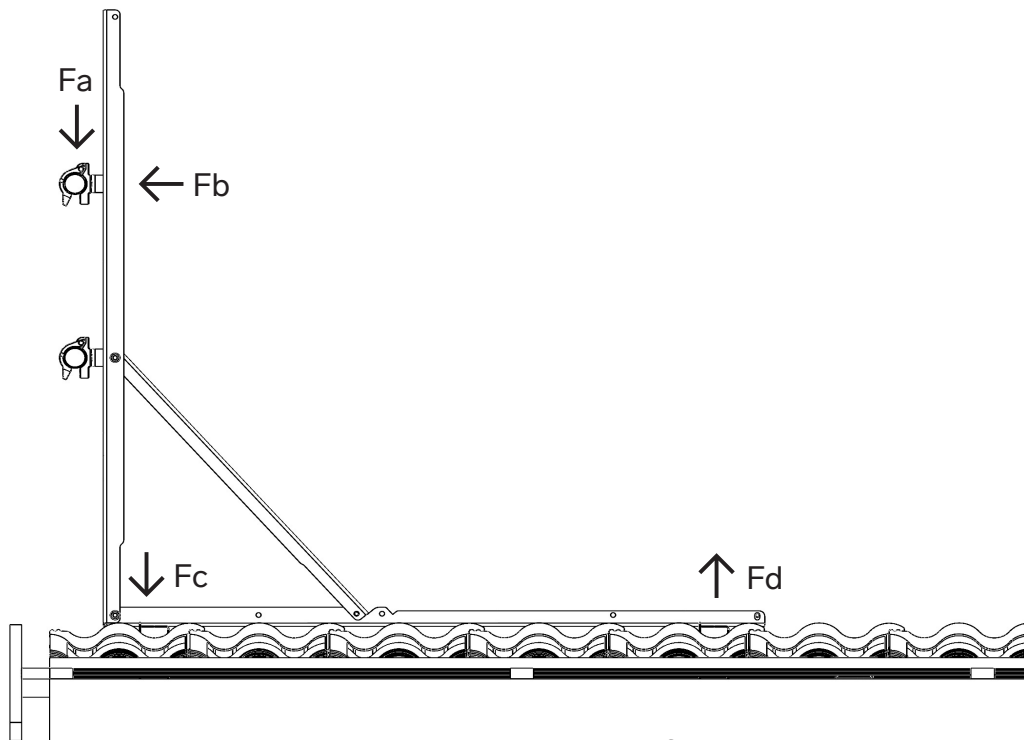


NM Stand Pipe - Art no 7011



NM Toe Board Holder - Art no 7012

Regulations



The resulting forces are calculated and tested for the following fasteners, roof types and attachment methods. All are approved according to Standard: SS-EN-13374, Class A.

Resulting forces

	Fa	Fb	Fc	Fd
NM Hyper Meta				
→ Batten	✓	✓	✓	✓
→ Tongue and groove 1	✓	✓	✓	✓
→ Tongue and groove 2	✓	✓	✓	✓
NM Hyper Seam Roof				
→ Standing seam sheet metal roof	✓	✓	✓	✓
Direct attachment				
→ Profiled sheet metal roof	✓	✓	✓	✓
→ Roof ridge	✓	✓	✓	✓