

Declaration for MAFI Clamps

To Whom It May Concern

Thanks for choosing DMEGC.

As for the installation requirements between the DMEGC modules and MAFI clamps, DMEGC confirms that:

DMEGC standard modules: **DMxxxM10RT-B54HBW/HSW/HBB/HBT/HST** and **DMxxxM10RT-B60HBW/HSW/HBB/HBT/HST** are compatible with MAFI clamps RevA.

This letter is provided as a supplement to the installation manual provided with the modules at the time of sale. DMEGC confirms that the modules (mentioned above) to be use with MAFI Clamps Rev A, as schematically shown in Figure 1 with installation method as shown in Figure 2, do not violate the product warranty of DMEGC's modules (mentioned above), if the following maximum (test) loads are not exceeded:

-Maximum test load (MAFI RevA clamps with torque 8Nm):

front test load +3000Pa and backside -2400 Pa

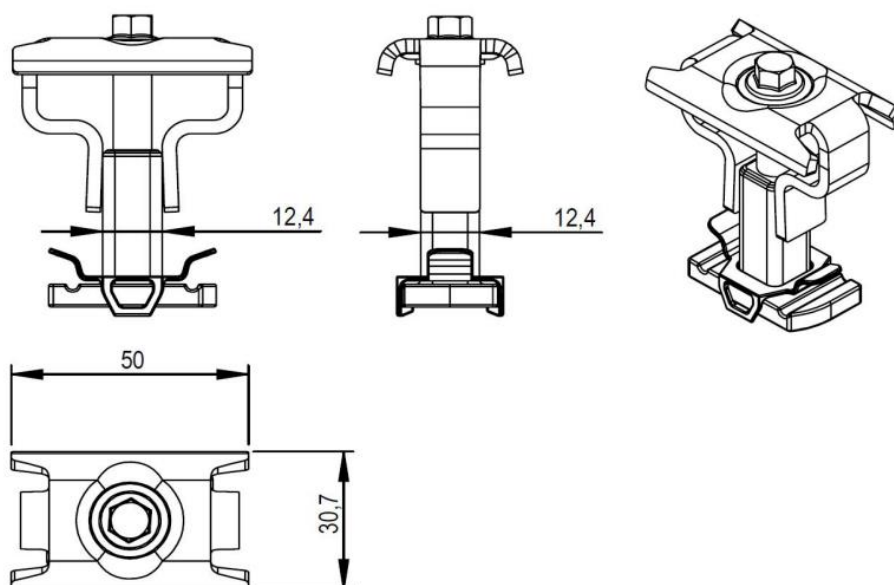


Figure 1: MAFI Clamps Rev A

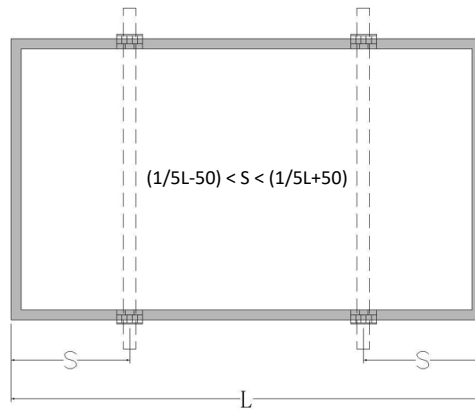


Figure 2: Mounting by four clamps, mounting rails cross the long frame

DMEGC Solar
Product Management Department
May 19, 2025

唐悦菊